

CHRONO-TESTER



USER MANUAL

YCG, Inc.
2603 Reach Rd, Rear Bldg
Williamsport, PA 17701
Phone: 570-494-1150 | Fax: 570-494-1021

Chrono-Tester User Manual

INTRODUCTION

The Chrono-Tester was designed to aid in troubleshooting ballistic testing procedures. The Chrono-Tester can detect and verify pulse activity on light screens allowing the user to determine if the light screen is detecting the ballistic event. The Chrono-Tester can also output a pulse interval which can be used to test cables and Chronographs. The unit is battery operated with low battery detection.

SPECIFICATIONS

- Operating Temp..... 32°F - 105°F
- Power..... 9V battery (behind bottom plastic cover)
- Low Battery Indication.....Power LED flashes
- Input Connection..... BNC type
- Pulse Out Interval.....1000 μ sec +/- 2%

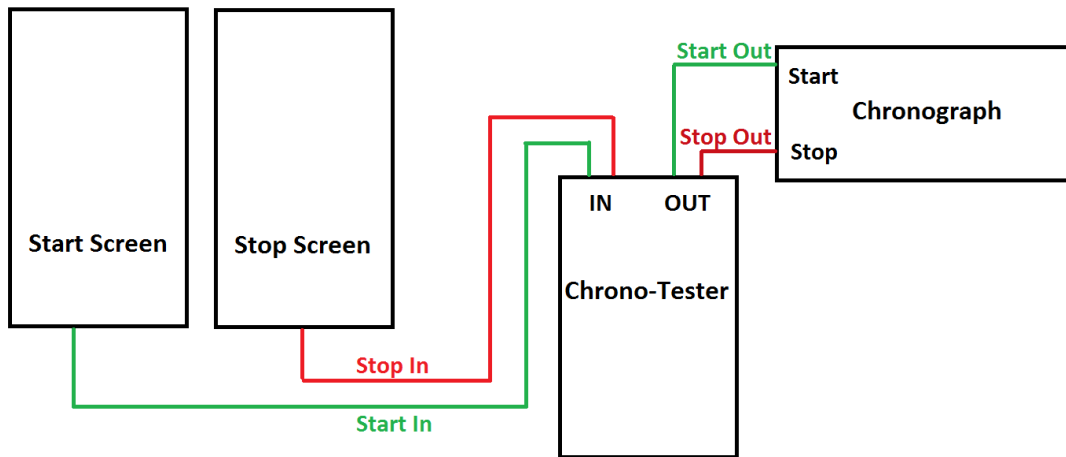


Chrono-Tester User Manual

OPERATING INSTRUCTIONS

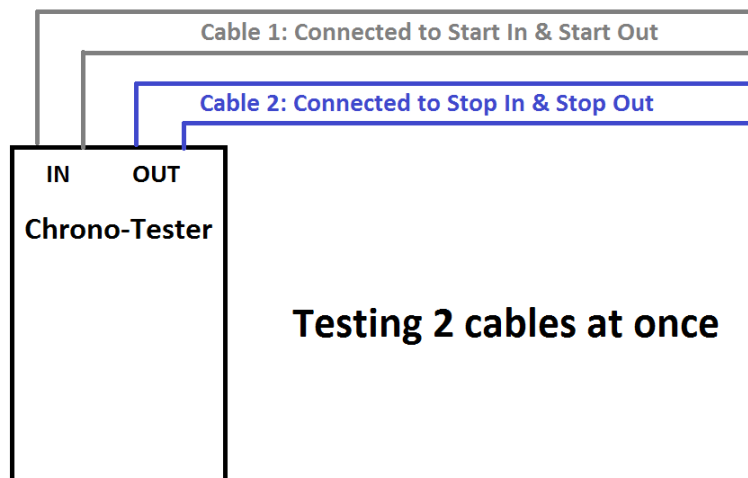
Pulse Detection:

- 1) Power up the Chrono-Tester, press Reset button, and place unit in Track Mode.
- 2) Connect output of chronograph light screens to Start In & Stop In inputs on Tester.
- 3) Connect the Start Out & Stop Out outputs of Tester to inputs of chronograph.
- 4) When a pulse is detected on either the Start or Stop input channels the corresponding blue LED will illuminate on the Tester.
- 5) Since the Tester is connected in series as a pass thru device the Tester can remain connected and not affect the operational accuracy of the ballistic chronograph setup.
- 6) Press Reset button to clear the LEDs.



Testing Cables:

- 1) Power up the Chrono-Tester, press Reset button, and place unit in Test Mode.
- 2) Connect cable to be tested to the Tester Start In and Start Out inputs.
- 3) Press the Pulse Out button; the Tester will output a test pulse on the Start Out and if the Start In receives the pulse, the Blue Start LED will illuminate.
- 4) Press Reset to clear the LED.
- 5) A second cable can be tested simultaneously on the Stop In & Stop Out as well.



Chrono-Tester User Manual

Testing a Chronograph:

- 1) Power up Chrono-Tester, press Reset button, and place unit in Test Mode.
- 2) Connect the Start Out on the Tester to the Start input on the chronograph.
- 3) Connect Stop Out on the Tester to the Stop input on chronograph.
- 4) Press the Pulse Out button; the chronograph should indicate 1000 μ sec +/- 20 μ secs.

